

SR Flange Covers

SR Flange Covers - made from flexible PVC, cover and protect faces and edges of flanges, threads, flared or beaded tubes and ducts.

Design allows for easy snap-on application without the use of tools, yet provides a snug, conforming fit.

Excellent for protecting against contamination, nicks or abrasion of parts during shipping.

Features

Snap ring design provides for easy application and removal.
Durable material won't split or warp.
Covers are reusable.

Applications

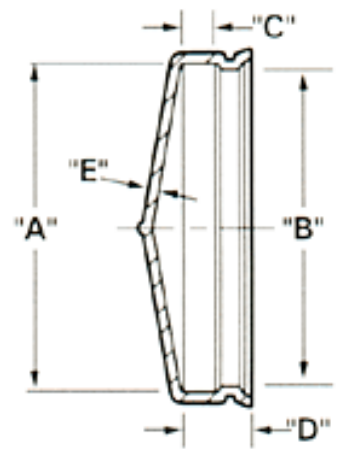
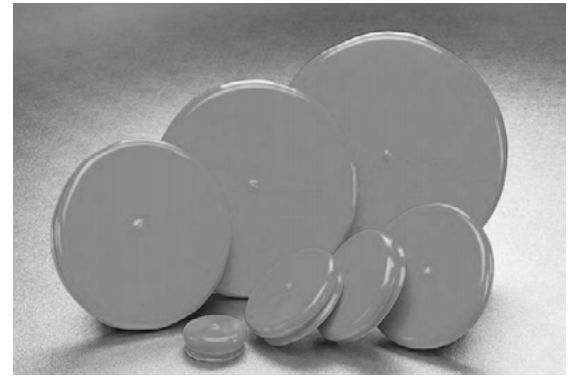
Flanges, Threads, Flared or Beaded Tubes and Ducts.
Protection during storage. Paint Masks. Shipping Covers.

Colours

Standard stock colour is Yellow.

Material

75 durometer PVC with a glossy finish.
See material chart for specifications.



Part Number	A Inches	A mm	B	C	D	E
14-FVSR0900	0.900	22.9	19.7	9.5	15.9	1.5
14-FVSR1025	1.025	26.0	22.9	9.5	15.9	1.5
14-FVSR1150	1.150	29.2	26.0	9.5	15.9	1.5
14-FVSR1525	1.525	38.7	35.7	9.5	15.9	1.5
14-FVSR1650	1.650	41.9	38.7	9.5	15.9	1.5
14-FVSR1900	1.900	48.3	41.9	9.5	15.9	1.5
14-FVSR2025	2.025	51.4	46.4	9.5	15.9	1.5
14-FVSR2150	2.150	54.6	48.4	9.5	15.9	1.5
14-FVSR2400	2.400	61.0	54.6	9.5	15.9	1.5
14-FVSR2650	2.650	67.3	61.0	9.5	15.9	1.5
14-FVSR2900	2.900	73.7	67.3	9.5	15.9	1.8
14-FVSR3125	3.125	79.4	73.7	9.5	15.9	1.8
14-FVSR3400	3.400	86.4	80.0	9.5	15.9	1.8
14-FVSR3650	3.650	92.7	86.4	9.5	15.9	1.8
14-FVSR3900	3.900	99.1	92.7	9.5	15.9	1.8
14-FVSR4150	4.150	105.4	99.1	9.5	15.9	1.8
14-FVSR4400	4.400	111.8	105.4	9.5	15.9	1.8
14-FVSR4650	4.650	118.1	111.8	9.5	15.9	1.8
14-FVSR4900	4.900	124.5	118.1	9.5	15.9	1.8
14-FVSR5150	5.150	130.8	124.5	9.5	15.9	1.8
14-FVSR6900	6.90	175.25	168.91	13.03	19.84	2.0
14-FVSR8900	8.90	226.06	219.71	13.03	22.61	2.3
14-FVSR10900	10.90	276.86	270.51	13.03	22.61	2.5