

## 811-Squeezing Type Toggle Clamps

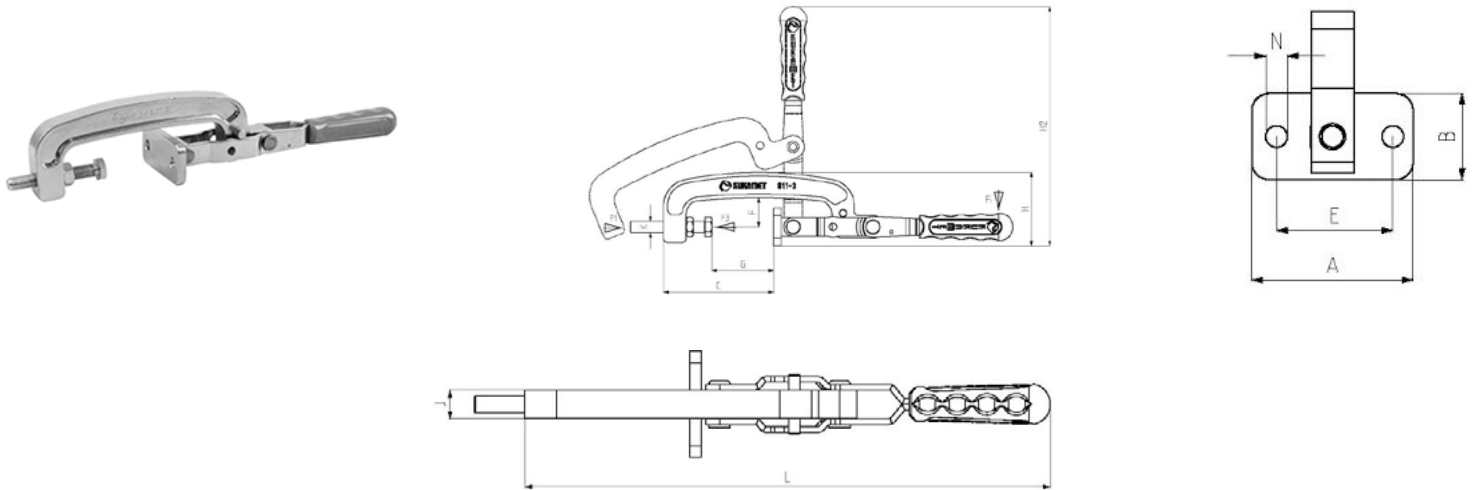
Body Mounting Base: Horizontal

Part Number	F1 (kg)	F3 (kg)	Fi F1:Fi
19-811-2	356	458	36:1
19-811-3	407	611	38:1

### Features

- Strong & suitable for heavy duty
- Clamping jaw made from hot forged steel

F1 Exerting Force. F3 Holding Capacity. Fi Applied Force



Part Number	A	B	C	E	F	G min	G max.	H	H2	J	K	L	N
19-811-2	68	38	100	45	28	35	68	69	265	16	10	337	8
19-811-3	78	38	118	54	31	21	80	77	253	20	12	372	10