

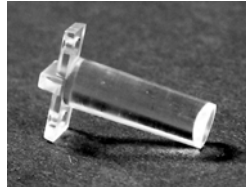
LED Light Pipes

Rectangular Panel Mount

Neat indicator light solution.

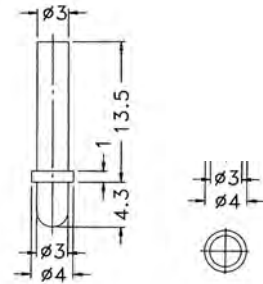
35-LEM3

| Part Number | A |
|-------------|-----|
| 35-LEM31.8 | 1.8 |
| 35-LEM32.2 | 2.2 |



3mm Extension

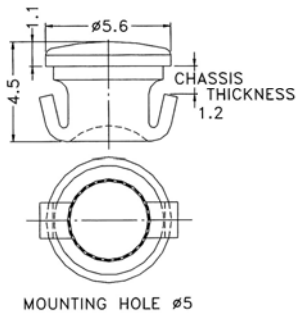
35-LEM5



5mm Panel Mount

Snaps into 5mm hole.

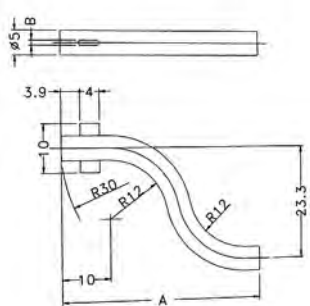
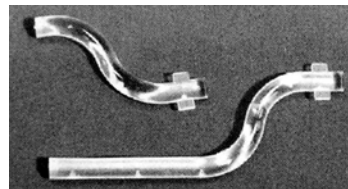
35-LEM7



Light Pipes

35-LPG Series

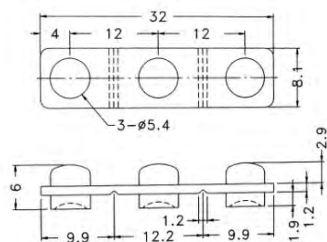
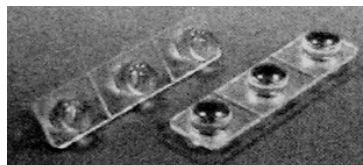
35-LPG42 A = 41.5 B = 1.3 mm
35-LPG77 A = 76.5 B = 1.2 mm



5mm Panel Mount - 3 way

Snap to make 1 way & 2 way.

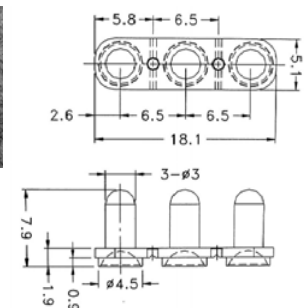
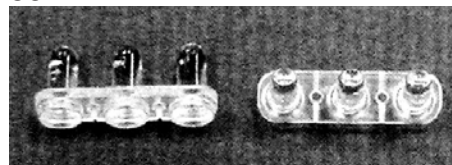
35-LEM4



3mm Panel Mount - 3 way

Snap to make 1 way & 2 way.

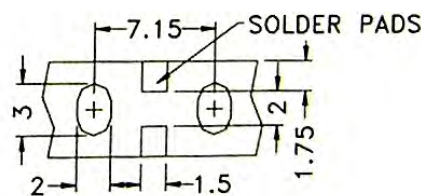
35-LEM11



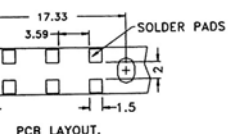
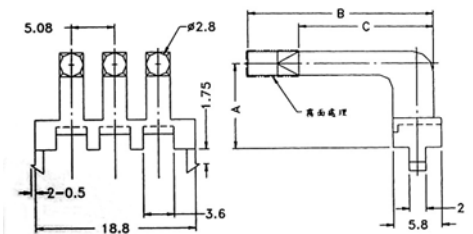
Right Angle SMT Light Pipe - 35-LPE1 Series

Multiple centreline heights & multi-levels • Available also as 2, 3 and 4 way • Material : Polycarbonate

| Part Number | A | B | C |
|-------------|------|------|------|
| 35-LPE10516 | 5.0 | 16.0 | 10.0 |
| 35-LPE10519 | 5.0 | 19.0 | 13.0 |
| 35-LPE10522 | 5.0 | 22.0 | 16.0 |
| 35-LPE11016 | 10.0 | 16.0 | 10.0 |
| 35-LPE11019 | 10.0 | 19.0 | 13.0 |
| 35-LPE11022 | 10.0 | 22.0 | 16.0 |
| 35-LPE11516 | 15.0 | 16.0 | 10.0 |
| 35-LPE11519 | 15.0 | 19.0 | 13.0 |
| 35-LPE11522 | 15.0 | 22.0 | 16.0 |



PCB LAYOUT.



3 Way

