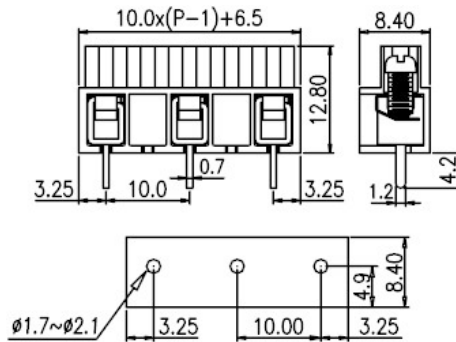


High Voltage Wire Protector Type

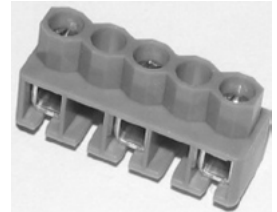
DT166 Series - Vertical

Approvals: UL, VDE
 12A/4.0mm²/380VAC
 Pins: 0.8 x 1.0mm
 Housing: Polyamide 6/6 Green (UL94V2)
 Screws M3 Combination

Part Number	Poles	Pitch mm	Max Current	Max mm ²
32-DT166-2P5	2	10.0	12A	4
32-DT166-3P5	3	10.0	12A	4



10mm Pitch

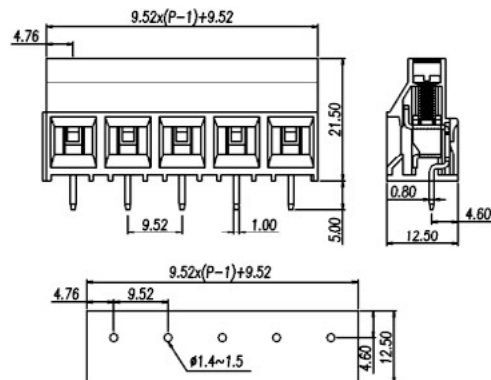


30A Elevator Clamp Type

EK950V Series - Vertical

Approvals: UL, TUV
 2 & 3 Pole Modular Interlocking
 30A /45.0mm² / 300VAC
 Pins: 0.8 x 1.0mm
 Housing: Polyamide 6/6 Green (UL94V2)
 Screws M3 Combination

Part Number	Poles	Pitch mm	Max Current	Max mm ²
32-DEK950V-2P	2	9.52	30A	4
32-DEK950V-3P	3	9.52	30A	4



9.52mm Pitch

