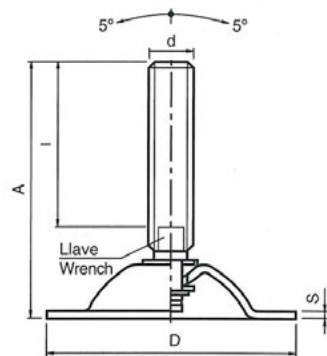


4205 – Steel Feet

Zinc-coated steel base and stud • Maximum static load calculated with vertical stud

* Max Static Load

Part Number	D	A	d	l	Wrench	Kg*
11-AF113S16-58	113	100	M16	58	13	1500
11-AF113S16-145	113	187	M16	145	13	1500
11-AF113S20-107	113	152	M20	107	17	1500
11-AF113S20-157	113	202	M20	157	17	1500
11-AF113S24-90	113	138	M24	90	19	1500
11-AF113S24-162	113	210	M24	162	19	1500
11-AF113S30-125	113	173	M30	125	24	1500



4205 - Steel Feet with Holes

Zinc-coated steel base and stud • Maximum static load calculated with vertical stud

* Max Static Load

Part Number	D	A	d	l	D1	Wrench	Kg*
11-AFH113S16-58	113	100	M16	58	95	13	1500
11-AFH113S16-145	113	187	M16	145	95	13	1500
11-AFH113S20-107	113	152	M20	107	95	17	1500
11-AFH113S20-157	113	202	M20	157	95	17	1500
11-AFH113S24-90	113	138	M24	90	95	19	1500
11-AFH113S24-162	113	210	M24	162	95	19	1500
11-AFH113S30-125	113	173	M30	125	95	24	1500

