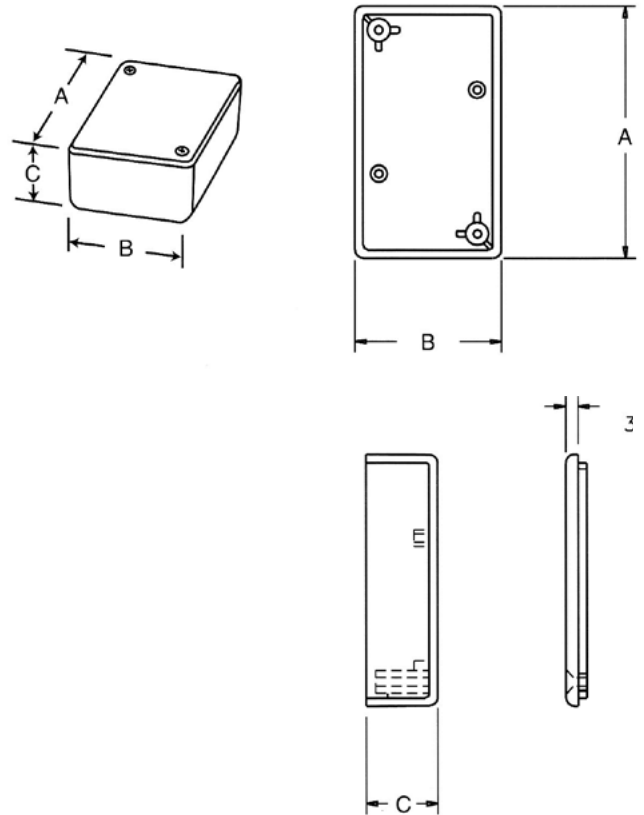


Hammond Miniature Hand Held Boxes - 1551/1551TBU

Designed to meet IP54 • Two PCB spacers are moulded into the interior.

- Ideally suited for mounting small printed circuit boards.
- Moulded from economical ABS plastic and feature a satin finish.
- Assembled with two self tapping screws.
- Lap joint construction provides protection from dust and splashing water.
- Part number with "*" are available with a key ring kit.

For detailed drawings and CAD files visit www.hammondmfg.com



Accessories

Key Ring Kit (19mm ring plus black nylon clip)

Part No. 26-1427KR

Mounting Hole Size 4.0mm

Internal PCB Screws (#2 x 3/16" Self Tapper)

Part No. 26-1551ATS100

Part Number			Dimensions with Lid (mm)		
Black	Grey	Translucent Blue	A (L)	B (W)	C (H)
26-1551NBK	26-1551NGY	26-1551NTBU	35	35	15
26-1551MBK	26-1551MGY	26-1551MTBU	35	35	20
26-1551QBK	26-1551QGY	26-1551QTBU	40	40	15
26-1551PBK	26-1551PGY	26-1551PTBU	40	40	20
26-1551FBK	26-1551FGY	26-1551FTBU	50	35	15
*26-1551GBK	*26-1551GGY	26-1551GTBU	50	35	20
26-1551SBK	26-1551SGY	26-1551STBU	50	50	15
26-1551RBK	26-1551RGY	26-1551RTBU	50	50	20
26-1551JBK	26-1551JGY	26-1551JTBU	60	35	15
*26-1551HBK	*26-1551HGY	26-1551HTBU	60	35	20
26-1551LBK	26-1551LGY	26-1551LTBU	80	40	15
*26-1551KBK	*26-1551KGY	26-1551KTBU	80	40	20